

IEC62368-1  
IEC61558-1/2-16  
IEC61010-1/2-201  
IEC60601-1  
IEC60335-1  
IEC62477-1



BS EN/EN62368-1  
BS EN/EN61558-1/2-16  
BS EN/EN61010-1/2-201  
BS EN/EN60601-1  
BS EN/EN60335-1  
BS EN/EN62477-1



UL62368-1  
UL61010-1/2-201  
ANSI/AAMI ES60601-1



UL61010-1



(By request)  
Note.7



TPTC004

## ■ Features

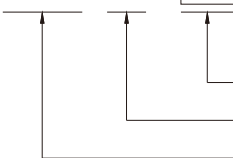
- 85~305Vac input with PFC(277Vac available)
- No load power consumption <0.3W~0.5W by R.C.
- Global certificates in multi-fields (ITE 62368-1, Medical 60601-1, Household 60335-1, Industrial 61558-1/2-16/61010-1, Energy converter 62477-1)
- 200% peak power capability(12~60V models)
- High efficiency up to 92%
- -40~85°C wide range operation temperature(> +60°C derating)
- Extremely low leakage current<350μA, 2 x MOPP, suitable for BF medical applications
- Built-in constant current limiting circuit
- Protections: Short circuit / Overload / Over voltage / Over temperature
- Fanless design for noise sensitive applications
- Built-in remote ON/OFF control
- Over voltage category III (OVC III)
- Operating altitude up to 5000 meters
- Conformal coating
- 5 years warranty

## ■ Description

The NSP-75 series is a 75W AC/DC power supply with PFC function, designed for high reliability and suitable for multiple industries. Key features include: compact size (99\*97\*30 mm) for better space utilization in system installations, ultra-wide input range of 85~305Vac for global compatibility, up to 92% efficiency and low standby power consumption (<0.3W~0.5W) for energy-saving and carbon reduction, constant current design with 200% peak power capability, fanless design, wide operating temperature range from -40 to +85°C(+60°C at full load), compliance with OVCIII, built-in Remote Control, internal PCB coating, complete protections, certifications for multiple safety standards including 62368-1, 60601-1, 61558-1, 60335-1, 62477-1, and 61010-1, as well as 2 X MOPP compliance and extremely low leakage current (<350μA). It is suitable for BF-rated medical equipment and comes with a 5-years warranty, making it a highly cost-effective solution for industrial power supply needs.

## ■ Model Encoding

NSP - 75 - 24



Output voltage (5V/12V/15V/24V/27V/36V/48V/60V)  
Output wattage  
Series name

## ■ Applications

- Industrial automation machinery/control system
- Security system
- Mechanical and electrical equipment
- Electronic instruments, equipments or apparatus
- Network equipment
- Telecom devices
- Power sourcing equipment of PoE
- Home automation
- Medical devices

## ■ GTIN CODE

MW Search: <https://www.meanwell.com/serviceGTIN.aspx>



# 75W AC/DC High Reliable Multi-Industries Enclosed Type Power Supply **NSP-75** series

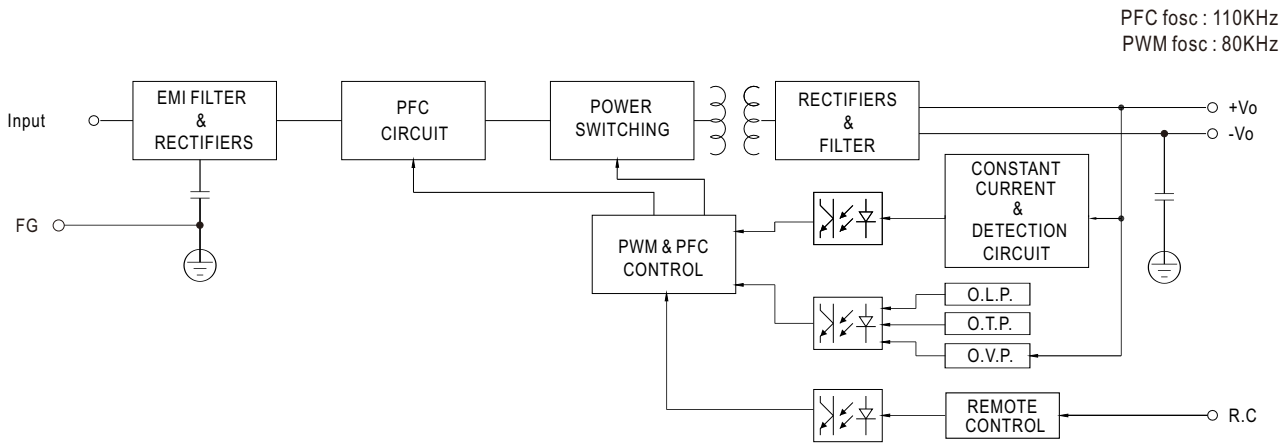
SPECIFICATION		NSP-75-5	NSP-75-12	NSP-75-15	NSP-75-24	NSP-75-27	NSP-75-36	NSP-75-48	NSP-75-60
<b>OUTPUT</b>									
DC VOLTAGE		5V	12V	15V	24V	27V	36V	48V	60V
RATED CURRENT		15A	6.3A	5A	3.2A	2.8A	2.1A	1.6A	1.3A
CURRENT RANGE		0 ~ 15A	0 ~ 6.3A	0 ~ 5A	0 ~ 3.2A	0 ~ 2.8A	0 ~ 2.1A	0 ~ 1.6A	0 ~ 1.3A
RATED POWER		75W	75.6W	75W	76.8W	75.6W	75.6W	76.8W	78W
PEAK	CURRENT(5 sec.)	N/A	12.5A	10A	6.3A	5.6A	4.2A	3.2A	2.5A
	POWER(5 sec.)	N/A	150W	150W	150W	150W	150W	150W	150W
RIPPLE & NOISE (max.) Note.2		150mVp-p	150mVp-p	150mVp-p	200mVp-p	240mVp-p	240mVp-p	240mVp-p	300mVp-p
VOLTAGE ADJ. RANGE		4.7 ~ 5.5V	10.8 ~ 14V	15 ~ 19V	21 ~ 26V	26 ~ 32V	32 ~ 43V	44 ~ 57V	54 ~ 72V
VOLTAGE TOLERANCE Note.3		±2.0%	±2.0%	±2.0%	±1.0%	±1.0%	±1.0%	±1.0%	±1.0%
LINE REGULATION		±0.5%	±0.5%	±0.5%	±0.5%	±0.5%	±0.5%	±0.5%	±0.5%
LOAD REGULATION		±1.0%	±0.5%	±0.5%	±0.5%	±0.5%	±0.5%	±0.5%	±0.5%
SETUP, RISE TIME		1500ms, 80ms/115Vac    1000ms, 80ms/230Vac    1000ms, 80ms/277Vac							
HOLD UP TIME (Typ.)		16ms at full load							
<b>INPUT</b>									
VOLTAGE RANGE Note.4		85 ~ 305Vac    120 ~ 431Vdc							
NO LOAD POWER CONSUMPTION(Typ.)	Remote Power OFF	0.3W/115Vac	0.5W/230Vac	0.5W/277Vac					
	Remote Power ON	2W/115Vac	2W/230Vac	2W/277Vac					
FREQUENCY RANGE		47 ~ 63Hz							
POWER FACTOR (Typ.)		PF>0.98/115Vac, PF>0.93/230Vac, PF>0.9/277Vac at full load							
EFFICIENCY (Typ.)		90.5%	92%	92%	90.5%	91%	91.5%	92%	92%
AC CURRENT (Typ.)		0.8A/115Vac	0.4A/230Vac	0.35A/277Vac					
INRUSH CURRENT (Typ.)		COLD START    20A/115Vac    35A/230Vac    45A/277Vac							
LEAKAGE CURRENT		Earth leakage current <350µA(rms)@277Vac, touch current<100µA(rms) @ 277Vac							
<b>PROTECTION</b>									
SHORT CIRCUIT	5V	Hiccup mode,recovers automatically after fault condition is removed							
	12V-60V	Constant current limiting for more than 5 seconds (Vout<30%) and then shut down o/p voltage, AC re-power on to recover							
OVERLOAD	5V	105%~170% rated output power; Hiccup mode,recovers automatically after fault condition is removed							
	12V ~ 60V	Normally works within 105 ~ 200% rated output power for more than 5 seconds and then constant current limiting without shutdown(Vout>30%), recovers automatically after fault condition is removed, or shut down o/p voltage when Vout<30%,AC re-power on to recover >200% rated power, constant current limiting (Vout>30%)with auto-recovery after fault condition is removed, or shut down o/p voltage when Vout<30%,AC re-power on to recover							
OVER VOLTAGE	5.8 ~ 7.5V	15 ~ 19V	20 ~ 25V	28 ~ 36V	33~ 42V	44 ~ 54V	58~ 70V	73~ 86V	
	Protection type : Shut down o/p voltage, AC re-power on to recover								
OVER TEMPERATURE		Shut down o/p voltage, AC re-power on to recover							
<b>FUNCTION</b>									
REMOTE CONTROL		POWER ON: RC+~RC-    0~0.8Vdc or open POWER OFF: RC+~RC-    3.3~10 Vdc by external voltage							
<b>ENVIRONMENT</b>									
WORKING TEMP.		-40 ~ +85°C (Refer to "Derating Curve")							
WORKING HUMIDITY		20 ~ 90% RH non-condensing							
STORAGE TEMP., HUMIDITY		-40 ~ +85°C, 10 ~ 95% RH non-condensing							
TEMP. COEFFICIENT		±0.05%/°C (0 ~ 60°C)							
VIBRATION		10 ~ 500Hz, 2G 10min./1cycle, 60min. each along X, Y, Z axes							



# 75W AC/DC High Reliable Multi-Industries Enclosed Type Power Supply **NSP-75** series

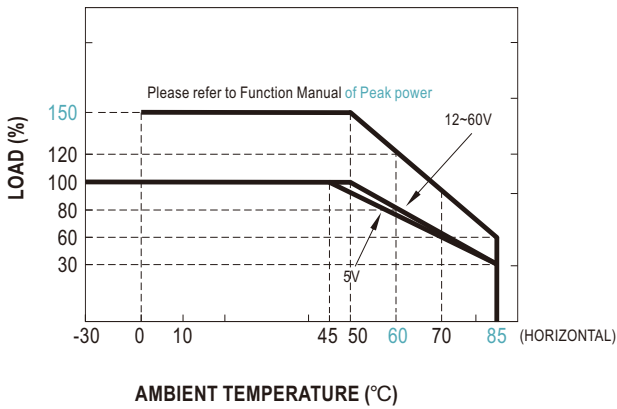
SAFETY & EMC (Note 5&6)			
<b>SAFETY STANDARDS</b>	CB DEKRA UL CCC BSMI EAC SEMI F47 KC/BIS	IEC62368-1, IEC60335-1, IEC61558-1/-2-16, IEC61010-1/-2-201, IEC60601-1; IEC62477-1 BS EN/EN62368-1, BS EN/EN60335-1, BS EN/EN61558-1/-2-16, BS EN/EN61010-1/-2-201, BS EN/EN60601-1(3.2 Version);BS EN/EN62477-1 UL62368-1, ANSI/AAMI ES60601-1(3.2 Version),UL61010-1/-2-201 GB4943.1 CNS15598-1 TP TC 004 approved; <b>KC 62368-1 and BIS IS 13252(Part 1) certified, no stock by request, contact sales for inquiries</b>	
<b>ISOLATION LEVEL (Note 7)</b>	Primary-Secondary: <b>2xMOPP</b> , Primary-Earth: 1xMOPP, <b>Secondary-Earth: 1xMOPP</b>		
<b>OVER VOLTAGE CATEGORY (Note 8)</b>	IEC/EN 61558-1/-2-16 IEC/EN/UL 62368-1 IEC/EN 60335-1 IEC/EN/ANSI/AAMI ES60601-1 IEC/EN/UL 61010-1/-2-201 IEC/EN 62477-1	(OVC III, altitude up to 2000M) (OVC II, altitude up to <b>5000M</b> ) (OVC II, altitude up to <b>5000M</b> ) (OVC II, altitude up to <b>4000M</b> ) (OVC II, altitude up to <b>5000M</b> ) (OVC II, altitude up to <b>5000M</b> )	
<b>SAFETY EXTRA-LOW VOLTAGE(SELV)</b>	IEC/EN 61558-2-16 (SELV, 5 ~ 36V) IEC/EN 60335-1 (SELV, 5 ~ 36V) IEC/EN/UL 62368-1 (SELV/ES1, 5 ~ 36V)		
<b>WITHSTAND VOLTAGE</b>	I/P-O/P: <b>4.2KVac</b> I/P-FG: <b>2.1KVac</b> O/P-FG:1.5KVac		
<b>ISOLATION RESISTANCE</b>	I/P-O/P, I/P-FG, O/P-FG:100M Ohms / 500VDC / 25°C / 70% RH		
<b>EMC EMISSION</b>	<b>Parameter</b>	<b>Standard</b>	<b>Test Level / Note</b>
	Conducted	BS EN/EN55032(CISPR32), CNS 15936, GB/T 9254.1, KS C 9832	Class B
		BS EN/EN55014-1(CISPR14-1)	
		BS EN/EN55011(CISPR11)	Class B
	Radiated	BS EN/EN55032(CISPR32), CNS 15936, GB/T 9254.1, KS C 9832	Class B
		BS EN/EN55014-1(CISPR14-1)	
		BS EN/EN55011(CISPR11)	Class B
Harmonic Current	BS EN/EN61000-3-2(IEC61000-3-2)	Class A	
Voltage Flicker	BS EN/EN61000-3-3(IEC61000-3-3)	----	
<b>EMC IMMUNITY</b>	BS EN/EN55035(CISPR35), BS EN/EN61000-6-2(IEC61000-6-2), BS EN/EN60601-1-2(IEC60601-1-2), BS EN/EN55014-2(CISPR14-2), KS C 9835, SEMI F47 tested at 200Vac		
	<b>Parameter</b>	<b>Standard</b>	<b>Test Level / Note</b>
	ESD	BS EN/EN61000-4-2	Level 4, <b>15KV</b> air ; Level 4, <b>8KV</b> contact
	Radiated	BS EN/EN61000-4-3	Level 3, 10V/m(80MHz~2.7GHz) Table 9, 9~28V/m(385MHz~5.78GHz)
	EFT / Burst	BS EN/EN61000-4-4	Level 3, 2KV
	Surge	BS EN/EN61000-4-5	Level 4, 2KV/Line-Line 4KV/Line-Earth
	Conducted	BS EN/EN61000-4-6	Level 3, 10V
	Magnetic Field	BS EN/EN61000-4-8	Level 4, 30A/m
Voltage Dips and Interruptions	BS EN/EN61000-4-11	>95% dip 0.5 periods, 30% dip 25 periods, >95% interruptions 250 periods	
<b>OTHERS</b>			
<b>MTBF</b>	2163.5 K hrs min. Telcordia SR-332 (Bellcore); 250.4 K hrs min. MIL-HDBK-217F (25°C)		
<b>DIMENSION (L*W*H)</b>	<b>99*97*30mm</b>		
<b>PACKING</b>	0.3Kg;45pcs/13.9Kg/0.91CUFT		
<b>NOTE</b>			
<p>1. All parameters NOT specially mentioned are measured at 230Vac input, rated load and 25°C of ambient temperature.</p> <p>2. Ripple &amp; noise are measured at 20MHz of bandwidth by using a 12" twisted pair-wire terminated with a 0.1uF &amp; 47uF parallel capacitor.</p> <p>3. Tolerance: includes set up tolerance, line regulation and load regulation.</p> <p>4. Derating may be need under low input voltages. Please refer to "STATIC CHARACTERISTIC" sections for details.</p> <p>5. The Regulatory Compliance Mark (RCM) is applied on a voluntary basis. The equipment meets the relevant IEC or AS/NZS standards, or AS/NZS 3820 where applicable. The use of the RCM mark complies with AS/NZS 4417.1.</p> <p>6. The power supply is considered a component which will be installed into a final equipment. All the EMC tests are been executed by mounting the unit on a 360mm*360mm metal plate with 1mm of thickness. The final equipment must be re-confirmed that it still meets EMC directives. For guidance on how to perform these EMC tests, please refer to "EMI testing of component power supplies." (as available on <a href="https://www.meanwell.com/Upload/PDF/EMI_statement_en.pdf">https://www.meanwell.com/Upload/PDF/EMI_statement_en.pdf</a>)</p> <p>7. Some factory or model may not have the BIS logo, please contact your MEAN WELL sales for more information.</p> <p>8. MOPP is suitable for 100-240Vac input only</p> <p>9. The ambient temperature derating of 3.5°C / 1000m with fanless models and 5°C/1000m with fan models for operating altitude higher than 2000m(6500ft).</p> <p>※ Product Liability Disclaimer: For detailed information, please refer to <a href="https://www.meanwell.com/serviceDisclaimer.aspx">https://www.meanwell.com/serviceDisclaimer.aspx</a></p>			

## Block Diagram



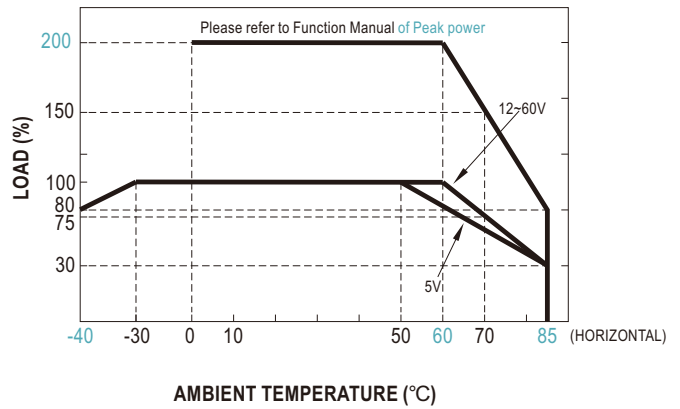
## Derating Curve

Suitable for 100/110/115/120Vac System (85~135Vac)

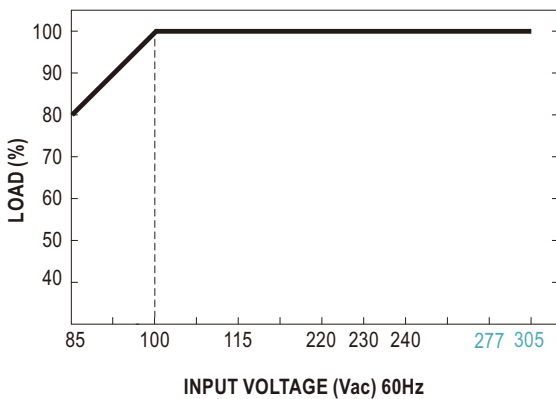


Note: Below 100Vac @ -30°C there may be a restart situation within 3 seconds after power-on

Suitable for 220/230/240/277Vac System (180~305Vac)



## Output Derating vs Input Voltage



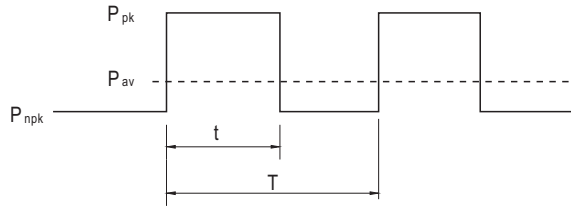
## Function Manual

### 1. Peak Power

$$P_{av} = \frac{P_{pk} \times t + P_{npk} \times (T-t)}{T} \leq P_{rated}$$

$$Duty = \frac{t}{T} \times 100\% \leq 35\%$$

$$t \leq 5 \text{ sec}$$



$P_{av}$  : Average output power (W)

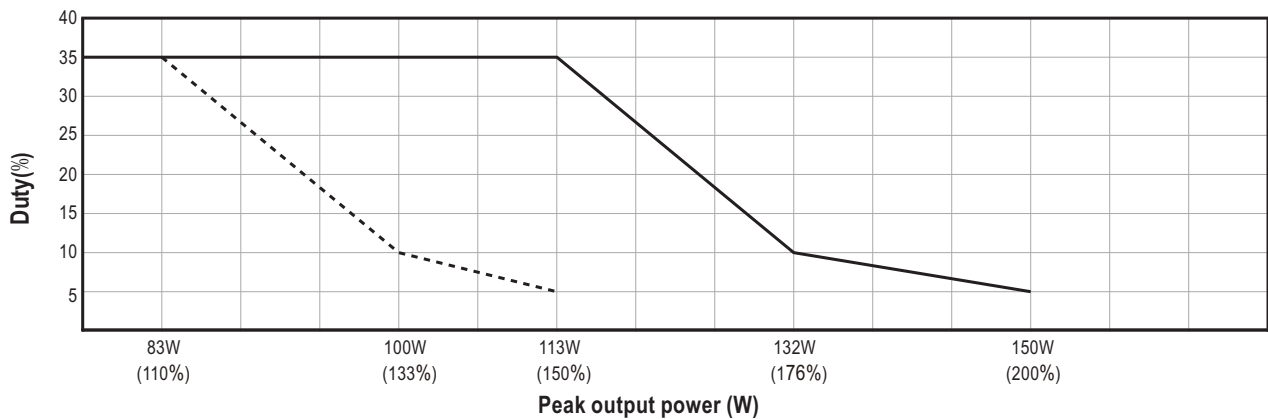
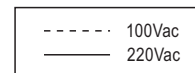
$P_{pk}$  : Peak output power (W)

$P_{npk}$  : Non-peak output power (W)

$P_{rated}$  : Rated output power (W)

$t$  : Peak power width (sec)

$T$  : Period (sec)



#### For example (24V model) :

$V_{in} = 200V_{ac}$      $Duty_{max} = 5\%$

$P_{av} = P_{rated} = 75W$

$P_{pk} = 150W$

$t \leq 5 \text{ sec}$

$$T \geq \frac{5 \text{ sec}}{5\%} \geq 100 \text{ sec}$$

$$P_{npk} \leq \frac{TP_{av} - tP_{pk}}{T-t}$$

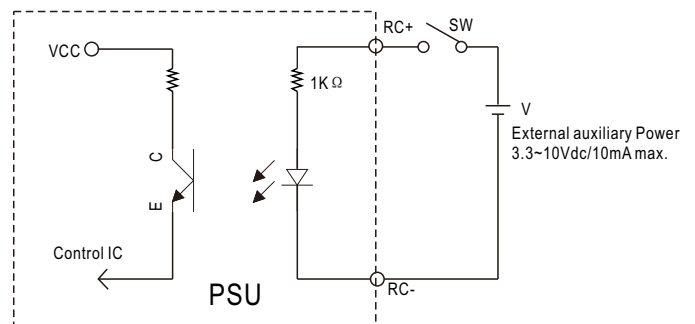
$$P_{npk} \leq 71W$$

Note: When the output voltage is adjusted to the upper limit, the peak power is 150% rated power

### 2. Remote Control

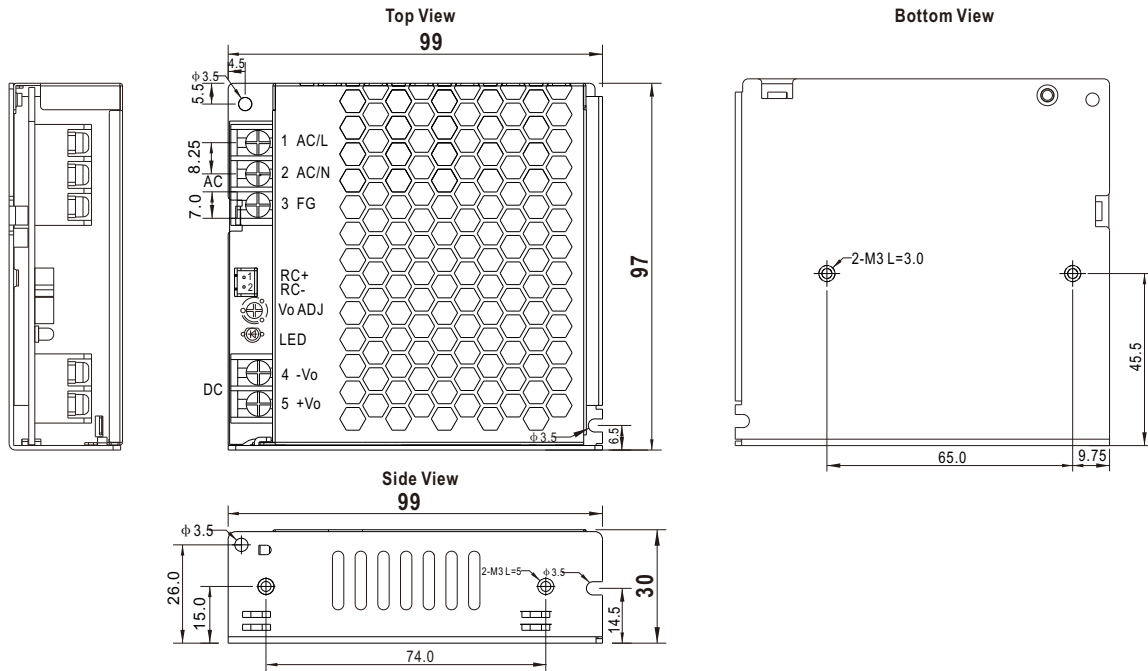
The PSU can be turned ON/OFF by using the "Remote Control" function with external switch and auxiliary power

PSU Vo Status	Between RC+(pin1) and RC-(pin2) on CN1
POWER ON	Keep 0~0.8Vdc or open
POWER OFF	Keep 3.3~10Vdc by external voltage



## Mechanical Specification

Case No.240A Unit:mm Tolerance:±1



### ※ Input Terminal Pin No. Assignment

Pin No.	Assignment	Diagram	Screw thread	Mounting torque
1	AC/L or DC input +Vin		M3	4~5Kgf.cm
2	AC/N or DC input -Vin			
3	FG $\perp$			

### ※ DC Output Terminal Pin No. Assignment

Pin No.	Assignment	Diagram	Screw thread	Mounting torque
4	-Vo		M3	4~5Kgf.cm
5	+Vo			

Remote ON/OFF: JST S2B-XH or equivalent

Pin No.	Assignment	Mating Housing	Terminal
1	RC+	JST XHP or equivalent	JST SXH-001T-P0.6 or equivalent
2	RC-		

## Accessory List

No.	Item	Quantity
1	Control function interface(CN1) mating wire along with NSP-75 (standard accessory)	1pcs/per model
2	Terminal cover MW'S Order NO. : PEE4TBC-03-DG, PEE4TBC-02-DG (By request accessory,should ordered seperately)	1pcs/per model

## Installation Manual

Please refer to : <http://www.meanwell.com/manual.html>